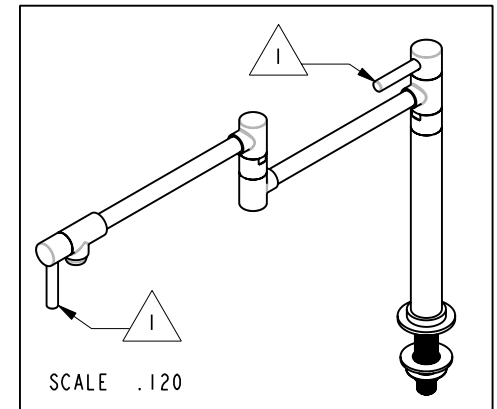
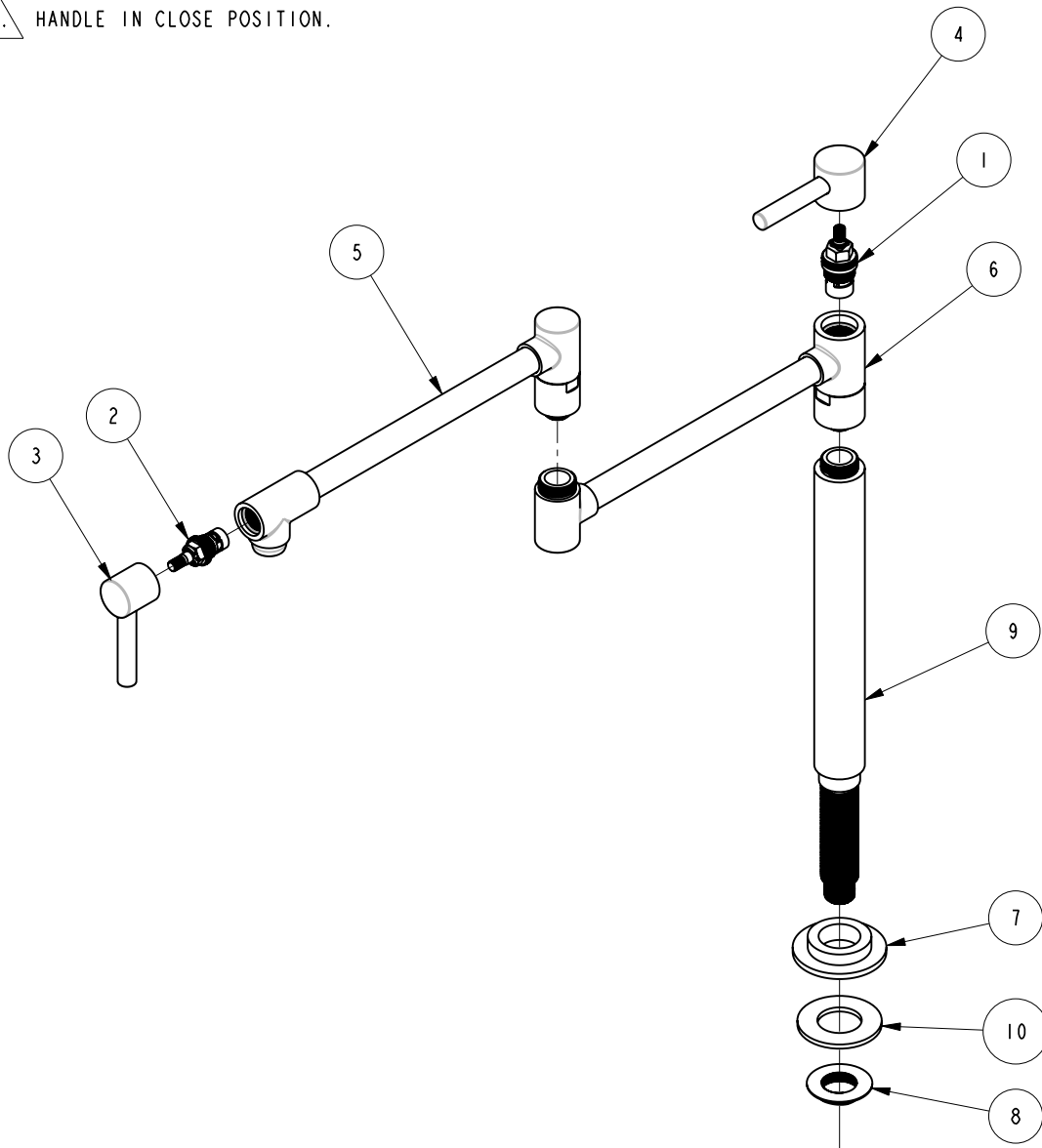


NOTES:

1. HANDLE IN CLOSE POSITION.

BILL OF MATERIAL (CURRENT LEVEL)

ITEM	PT/ASSY	DESCRIPTION	TYPE	QTY.
1	1-006	C/S VALVE CARTRIDGE - HOT	PART	1
2	1-134	CARTR 3/8 HOT 1/4 TR	PART	1
3	2-547	LEVER HANDLE ASM, CONTEMP	ASSEMBLY	1
4	2-548	LEVER HANDLE ASM, CONTEMP	ASSEMBLY	1
5	2-552	UPPER ARM ASM, CONTEMP	ASSEMBLY	1
6	2-554	LOWER ARM ASM, CONTEMP	ASSEMBLY	1
7	2-557	FLANGE ASM, CONTEMP	ASSEMBLY	1
8	10013	FLANGE NUT 1"-20	PART	1
9	11315	RISER SHANK, CONTEMP	PART	1
10	92229	WASHER 1 1/8 ID X 2 1/4 OD	PART	1



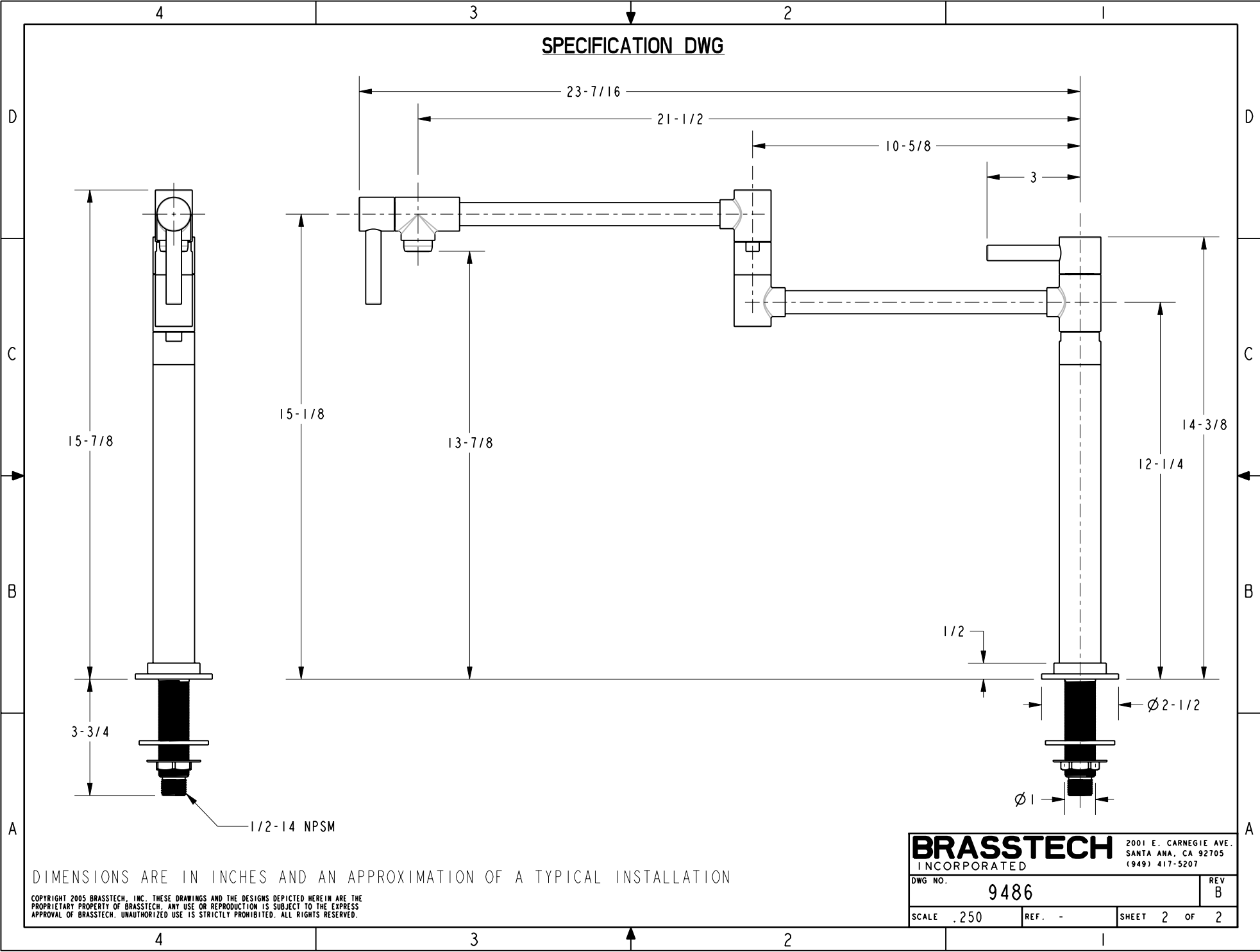
COPYRIGHT 2005 BRASSTECH, INC. THESE DRAWINGS AND THE DESIGNS DEPICTED HEREIN ARE THE PROPRIETARY PROPERTY OF BRASSTECH. ANY USE OR REPRODUCTION IS SUBJECT TO THE EXPRESS APPROVAL OF BRASSTECH. UNAUTHORIZED USE IS STRICTLY PROHIBITED. ALL RIGHTS RESERVED.

BRASSTECH
INCORPORATED
2001 E. CARNEGIE AVE.
SANTA ANA, CA 92705
(949) 417-5207

POT FILLER, DECK, LEVER, CONTEMP

ASSY. NO.	9486	
SCALE .200	REF. -	SHEET 1 OF 2
REV	REV DESC	DATE
B	EO-0770	10/12/06
A	EO-0701	08/25/06
-	EO-0641	01/18/06

SPECIFICATION DWG



DIMENSIONS ARE IN INCHES AND AN APPROXIMATION OF A TYPICAL INSTALLATION

COPYRIGHT 2005 BRASSTECH, INC. THESE DRAWINGS AND THE DESIGNS DEPICTED HEREIN ARE THE PROPRIETARY PROPERTY OF BRASSTECH. ANY USE OR REPRODUCTION IS SUBJECT TO THE EXPRESS APPROVAL OF BRASSTECH. UNAUTHORIZED USE IS STRICTLY PROHIBITED. ALL RIGHTS RESERVED.

BRASSTECH		2001 E. CARNEGIE AVE. SANTA ANA, CA 92705 (949) 417-5207
DWG NO.	9486	REV B
SCALE .250	REF. -	SHEET 2 OF 2